



TET ESTEL AS
ESTONIA

October
2014

Series
DF443-500

Fast Recovery Press-Pack
Diode
Type DF443-500

For use as high-power inverters,
fly-wheel diodes in DC choppers,
power supplies as high frequency rectifier

Maximum mean forward current	I_{FAV}						500 A	
Maximum repetitive peak reverse voltage	U_{RRM}						3200 ÷ 4400 V	
Reverse recovery time	trr						5,0; 6,3 μs	
U_{RRM} , V	3200	3400	3600	3800	4000	4200	4400	
Voltage code	32	34	36	38	40	42	44	
T_{vj} , °C	- 60 ÷ 125							

MAXIMUM ALLOWABLE RATINGS

Symbols and parameters		Units	DF443-500	Conditions	
I_{FAV}	Mean forward current	A	500 755	$T_c=85^\circ\text{C}$, $T_c=55^\circ\text{C}$, 180° half-sine wave, 50 Hz	
I_{FRMS}	RMS forward current	A	785	$T_c=85^\circ\text{C}$	
I_{FSM}	Surge forward current	kA	8,0 9,0	$T_{vj}=125^\circ\text{C}$ $T_{vj}=25^\circ\text{C}$	tp=10 ms $U_R=0$
I^2t	Limiting load integral	kA^2s	320 405	$T_{vj}=125^\circ\text{C}$ $T_{vj}=25^\circ\text{C}$	
U_{RRM}	Repetitive peak reverse voltage	V	3200÷4400	$T_{j\ min} \leq T_{vj} \leq T_{j\ M}$ 180° half-sine wave, 50 Hz	
U_{RSM}	Non-repetitive peak reverse voltage	V	3300÷4500	$T_{j\ min} \leq T_{vj} \leq T_{j\ M}$ 180° half-sine wave tp=10 ms, Single pulse	
T_{stg}	Storage temperature	°C	-60÷80		
T_{vj}	Junction temperature	°C	-60÷125		

CHARACTERISTICS

U_{FM}	Peak forward voltage	V	2,8	$T_{vj}=25^\circ\text{C}$, $I_{FM}=3,14 I_{FAV}$
$U_{F(TO)}$	Threshold voltage	V	1,4	$T_{vj}=125^\circ\text{C}$ $1,57 I_{FAV} < I_F < 4,71 I_{FAV}$
R_T	Forward slope resistance	$\text{m}\Omega$	0,9	
I_{RRM}	Repetitive peak reverse current	mA	50	$T_{vj}=125^\circ\text{C}$, $U_R = U_{RRM}$

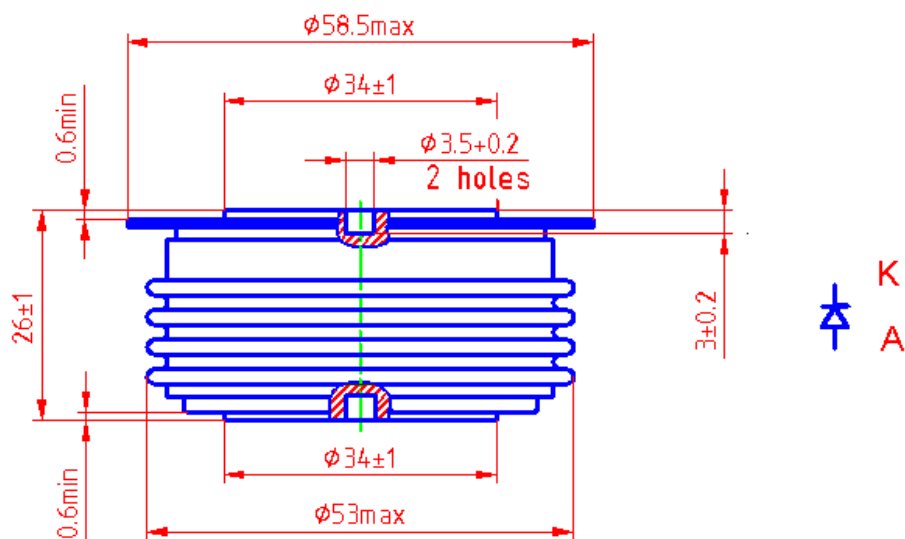
CHARACTERISTICS

Symbols and parameters		Units	DF443-500	Conditions
trr	Reverse recovery time	μs	5,0 ÷ 6,3 4,0 ÷ 5,0	Tvj=125°C, If=500A, Ur=100V diR / dt = 50A/μs diR / dt = 100A/μs
Qrr	Recovered charge	μC	350 ÷ 450 430 ÷ 530	Tvj=125°C, If=500A, Ur=100V diR / dt = 50A/μs diR / dt = 100A/μs
Rthjc	Thermal resistance junction to case	°C/W	0,03	Direct current, double side cooled

ORDERING

	DF	443	500	34	1	
	1	2	3	4	5	

1. Fast recovery diode
2. Design version
3. Mean forward current, A
4. Voltage code (34 = 3400 V)
5. Group of reverse recovery time (C4 ≤ 6,3 μs; 1 ≤ 5,0 μs)



Mounting force : 13 ÷ 19 kN
Weight : 320 grams